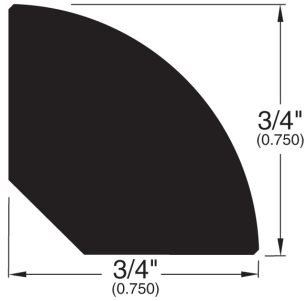
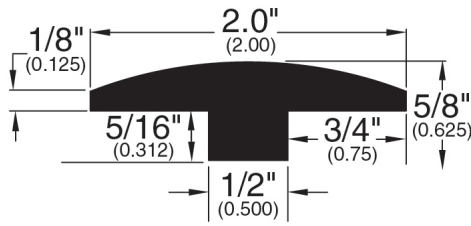


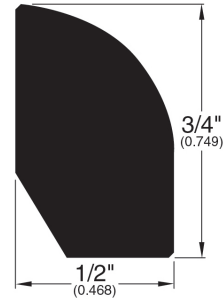
**5/16" Flooring Profiles**



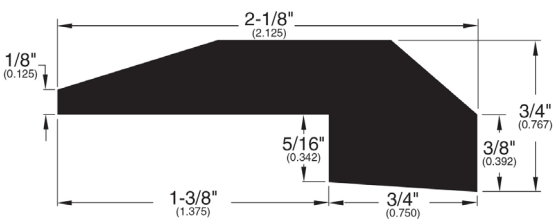
**Quarter Round (001)**



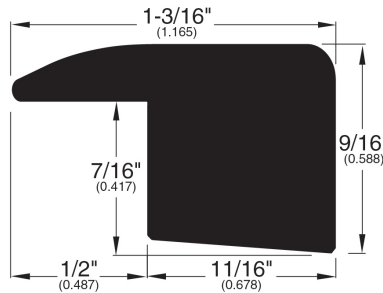
**T-Mold (002)**



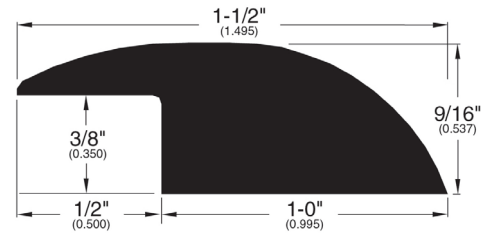
**Base Shoe (024)**



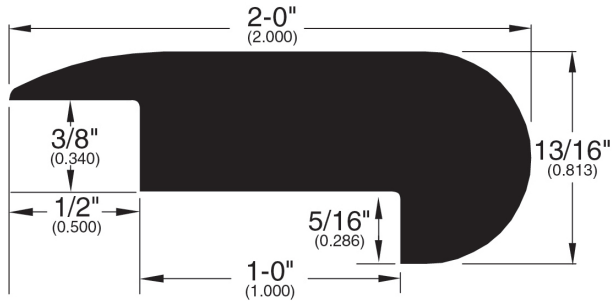
**Threshold (008)**



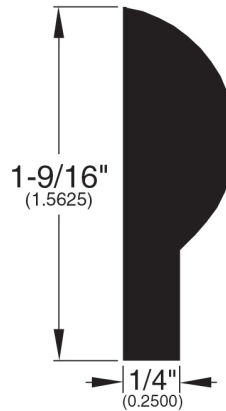
**Square Nose (043)**



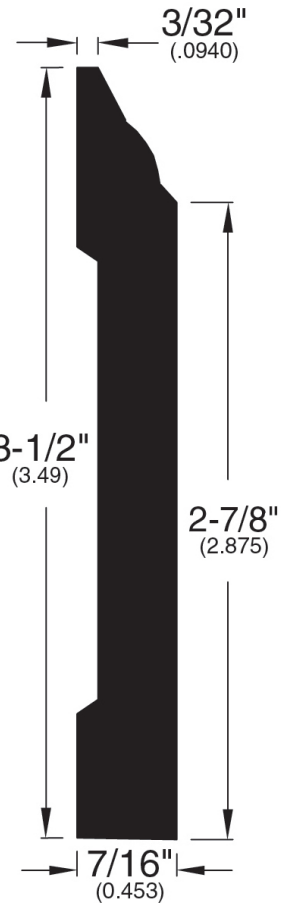
**Reducer Overlap (029)**



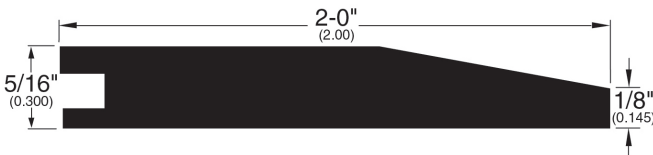
**Stair Nose Overlap (030)**



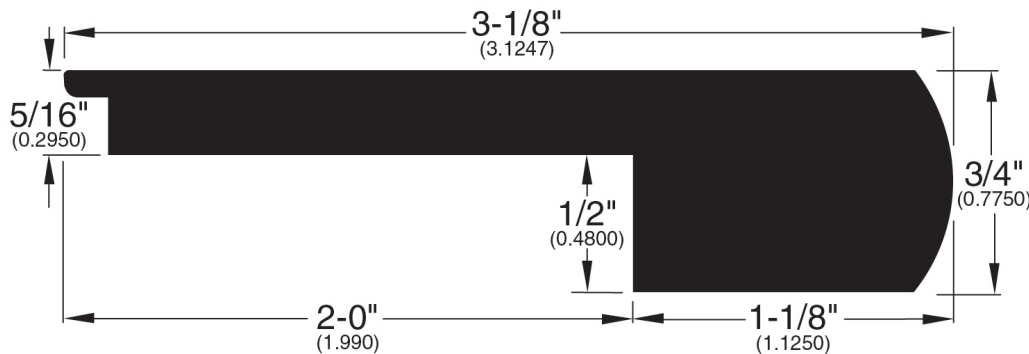
**Stair Nose Adjustable (058)**



**Wall Base (003)**



**Reducer (004)**



**Stair Nose (006)**