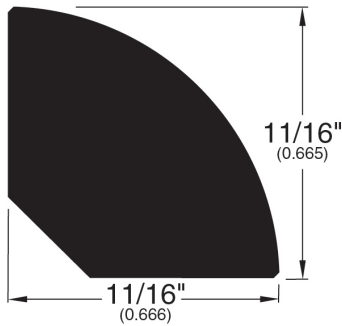
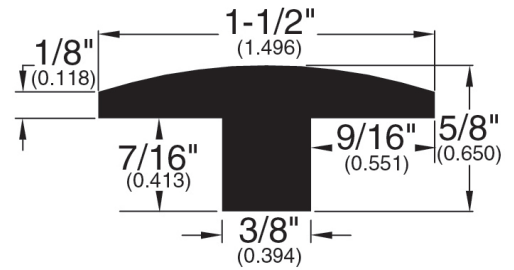


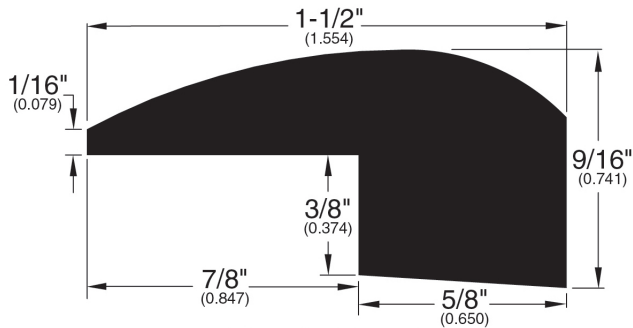
Cork Profiles



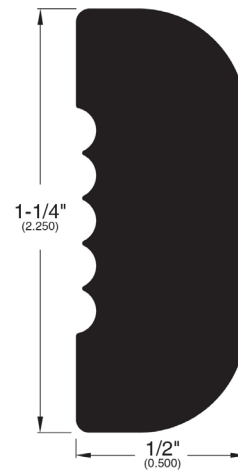
Quarter Round (126)



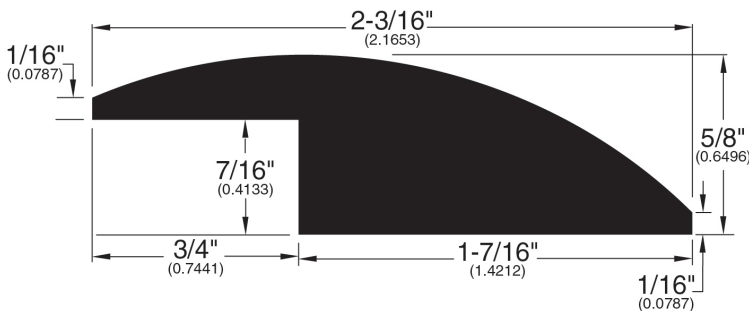
T-Mold (127)



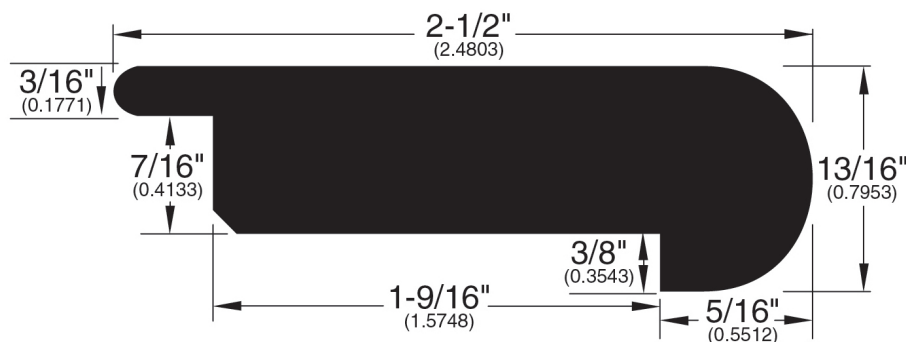
Threshold (128)



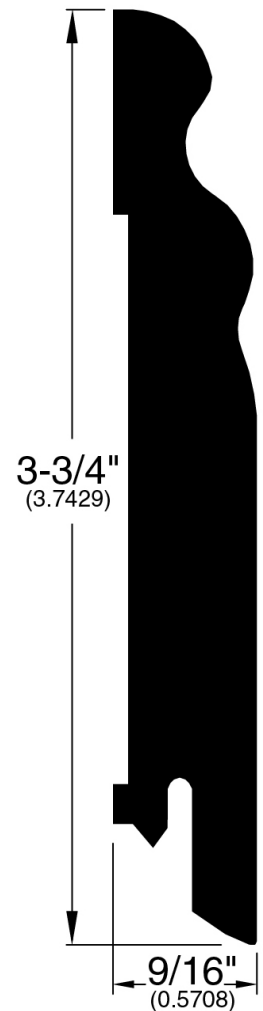
Quarter Round (126)



Reducer Overlap (130)



Stair Nose Overlap (131)



Wall Base (129)